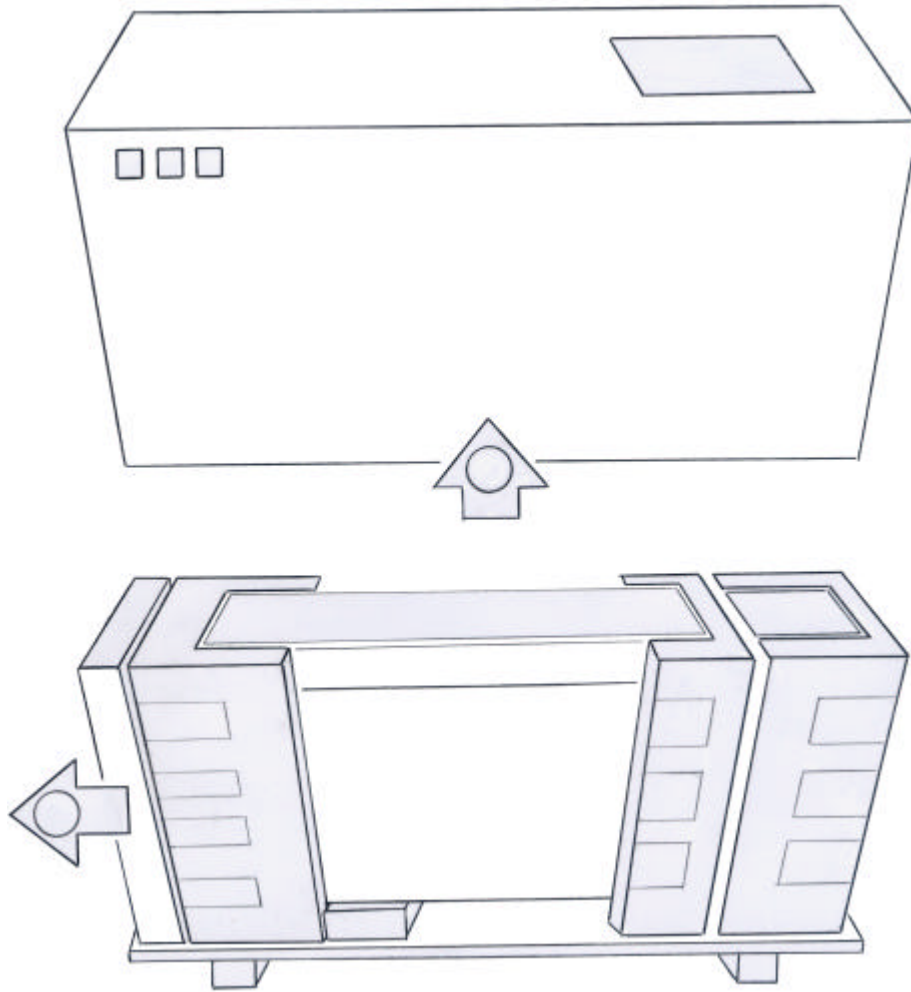




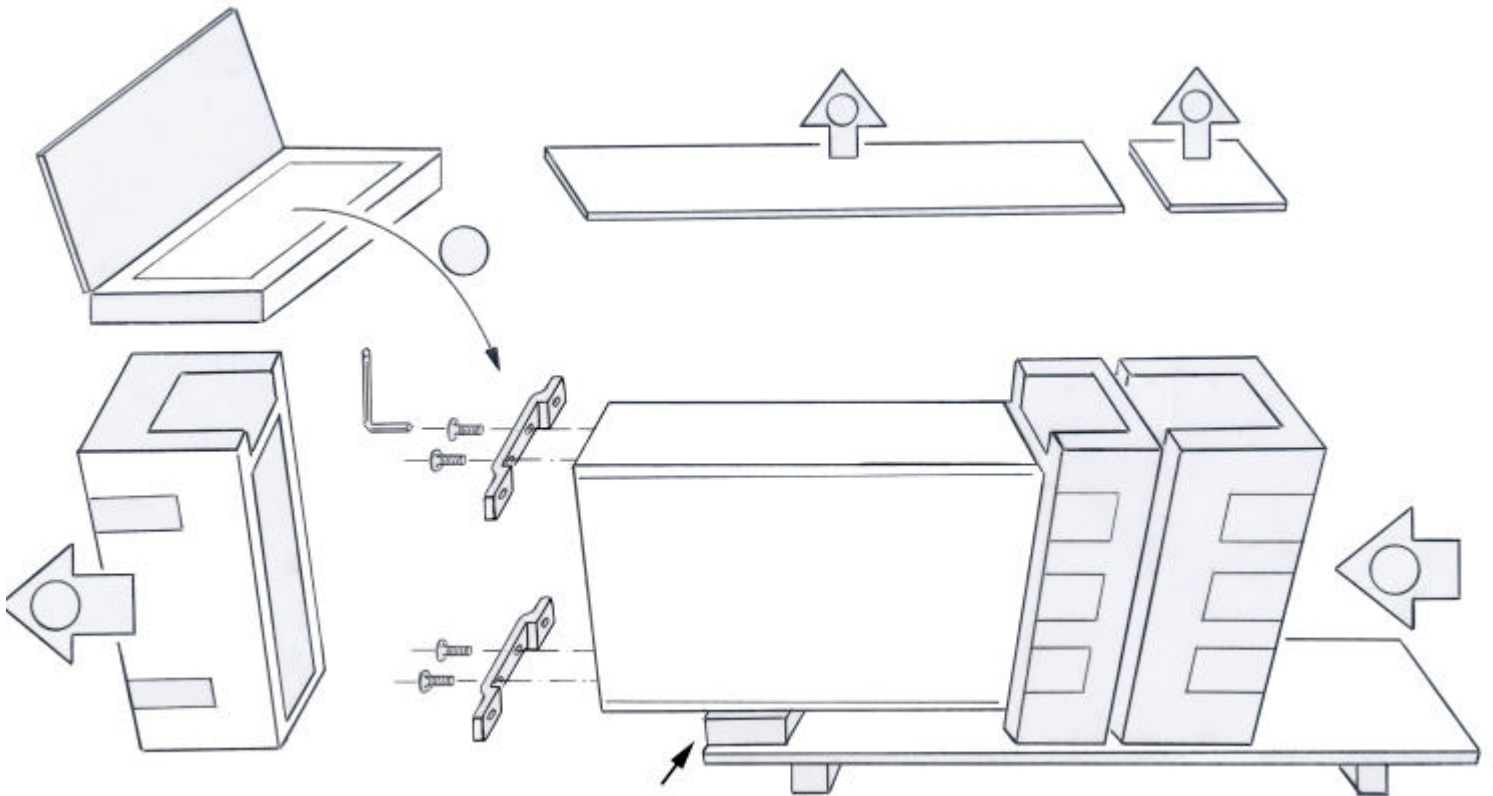
!ATTENTION!

**Please DO NOT
unpack the speakers
without carefully
reading these
instructions!**

1

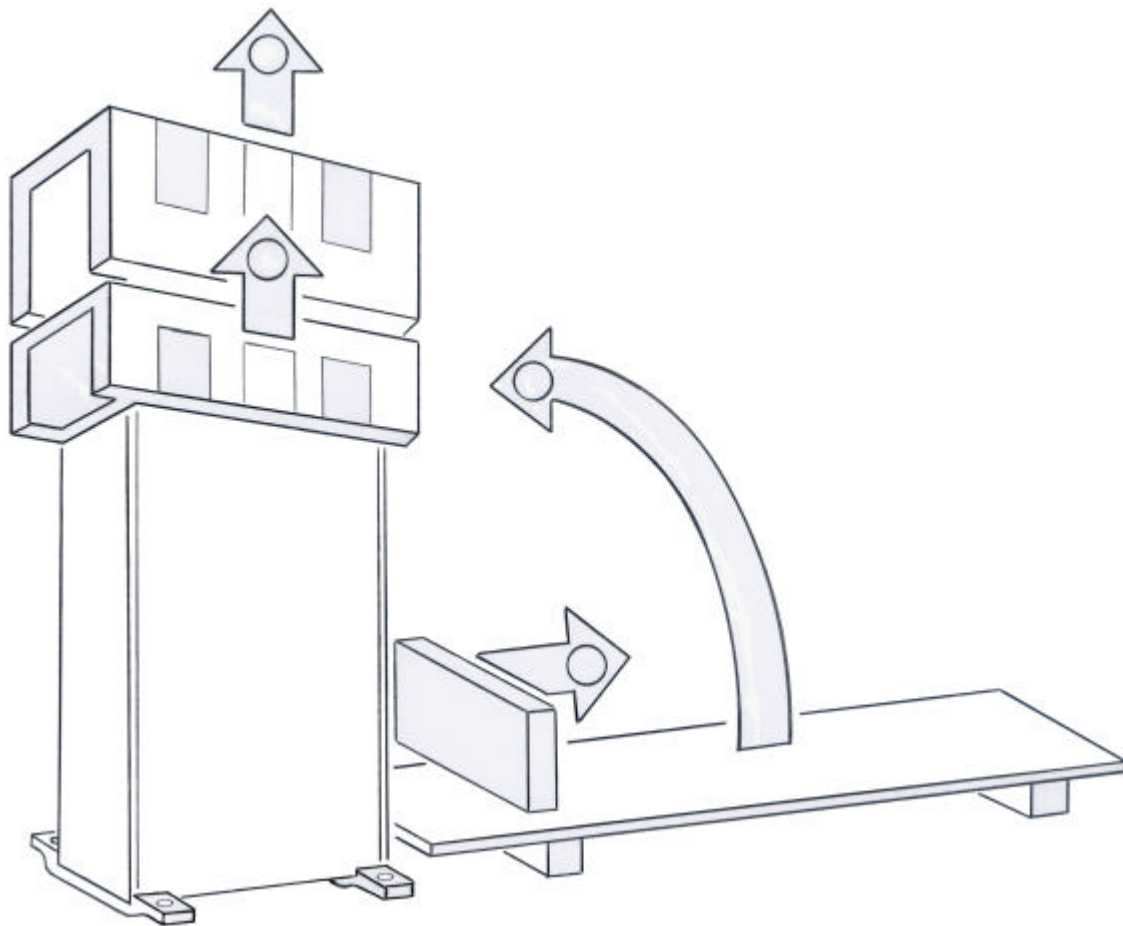


2



ATTENTION: The STYROPLATE must stay on the packing-box!

3



ATTENTION: 2 people are required to assure a safe unpacking!

1 After the outer wood box is removed, please take away the base-kit box.

2 Now please also take away the upper and lower grille.

Please slide the speaker in direction toward the lower end of the packingbox-bottom, until you can remove the LOWER styrofoam. **ATTENTION:** Please do not slide the speaker too far, make sure that the styroplate is still on the packingbox-bottom.

Please take away the lower styrofoam, remove the speaker's foambag a little, and install the base with the 4 screws. **ATTENTION:** Do not install the spikes already!

3 After the base is installed, please carefully lift the speaker, so that it slides from the packingbox-bottom to the floor. Now you can remove the remaining upper styrofoams, the styroplate and the foambag.

For easiest handling it is recommended to install the spikes after you found the speakers' approximate position.

Happy listening!